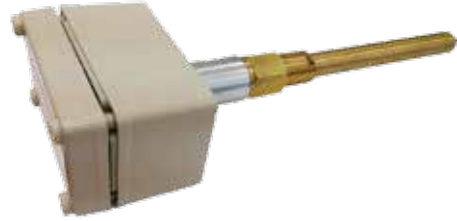




## Thermistor Catalog



The thermistor is sold with a matching thermo well, test plug and an IP 65 junction box .



### Thermistor Specifications

Uncertainty :  $\pm 0.0130\text{C}$

Type: Negative temperature coefficient  
(10,000  $\Omega$  @ 250C)

Calibration range: 0°C to 30°C

Verification point (optional): 40°C

Operating range: -40°C to 100°C

Probe material: SS316

Probe dia. : 3.2mm (outer dia.)

Lead wire: 2x AWG 24 (200mm length)

### Test Plug Specifications

Test plug material: Brass

Max pressure rating: 362 psi (2496kpa)

Connection: 1/4 inch NPT connection male



### Junction Box Specifications

Material: UPVC

Ingress protection: IP65



### Thermowell Specifications

Test plug material: Brass

Connection to pipe socket : (1/2 inch BSP  
Tapered)

Connection to test plug : (1/4 inch NPS)

Thermistor Calibration is SAC-SINGLAS  
Accredited



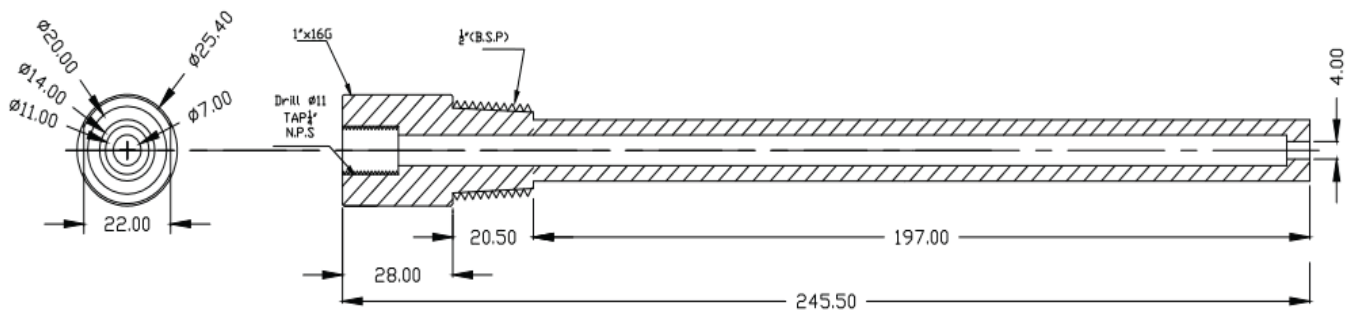


## TEMPERATURE SENSOR

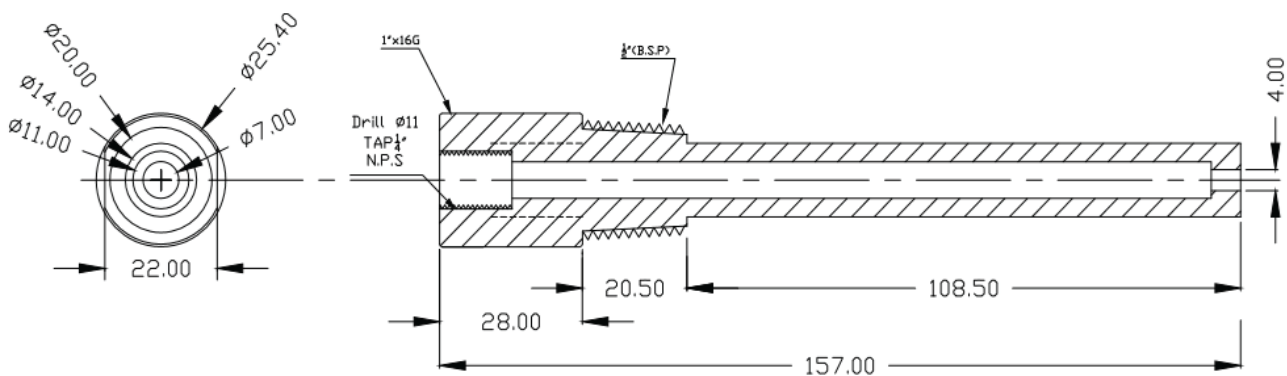
Description	Part No.	A	ØA	B	SS316	ØB	x,y cable 2x24
8" Probe	L200	25mm	Ø7mm	200mm		Ø3.175mm	19/36 SPC TFE
12" Probe	L300	25mm	Ø7mm	300mm		Ø3.175mm	19/36 SPC TFE



## 12" THERMOWELL

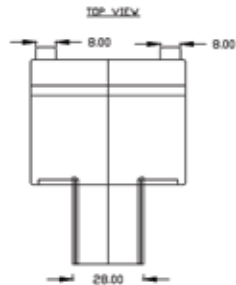


## 8" THERMOWELL

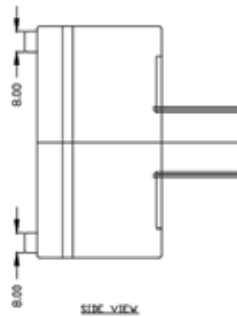
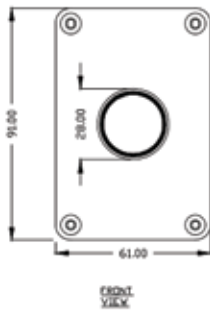




## JUNCTION BOX

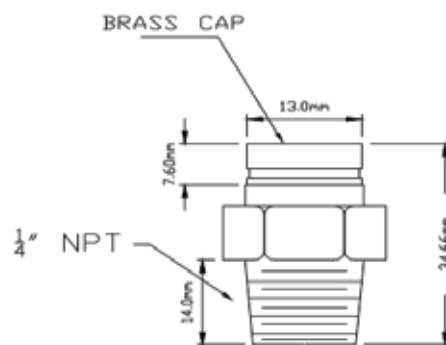


S/N	SPECIFICATIONS	
1	MATERIAL / BODY	UPVC
2	INGRESS PROTECTION	IP65



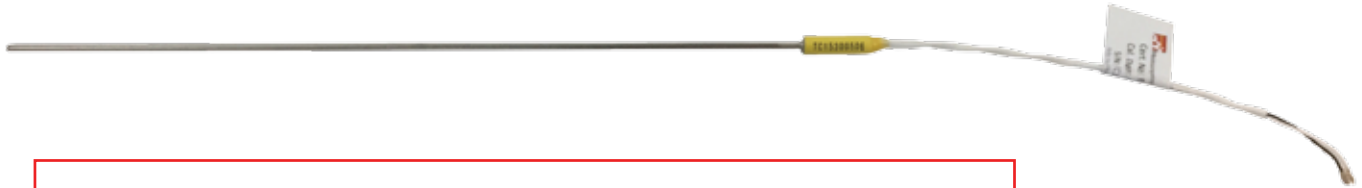
## TEST PLUG

### DIMENSIONS:





# Thermistor Calibration



## Calibration Overview

- SAC-SINGLAS accredited Calibration, in compliance with ISO/IEC 17025
- Overall Measurement Uncertainty of  $0.013^{\circ}\text{C}^*$   
(Temperature range from  $0^{\circ}\text{C}$  to  $30^{\circ}\text{C}$ )
- Thermistor Calibration at 3 points:
  - Triple-point of water (TPW)  $0.01^{\circ}\text{C}$ ,
  - Gallium melting-point (GMP)  $29.7646^{\circ}\text{C}$ , &
  - $15^{\circ}\text{C}$  in calibration water bath
- Establish Thermistor Steinhart-hart Coefficients
- Verification of Thermistor Calibration at 2 points:
  - Triple-point of water (TPW)  $0.01^{\circ}\text{C}$
  - $21^{\circ}\text{C}$  in calibration water bath
- Verification of Thermistor Calibration at  $40^{\circ}\text{C}$  (Optional)
- Stability Checks on Calibration Equipment on Daily Basis

\* expressed as an expanded uncertainty estimated at a level of confidence of approximately 95%

## Measurement & Verification Pte Ltd

8 Boon Lay Way #09-01/02/03 TradeHub 21 Singapore 609964 | Reg No. 200916469Z

☎ +65 6684 6640 | 6795 5560

☎ +65 6795 3873

✉ [infosupport@mnv.com.sg](mailto:infosupport@mnv.com.sg)

🌐 [www.mnv.com.sg](http://www.mnv.com.sg)